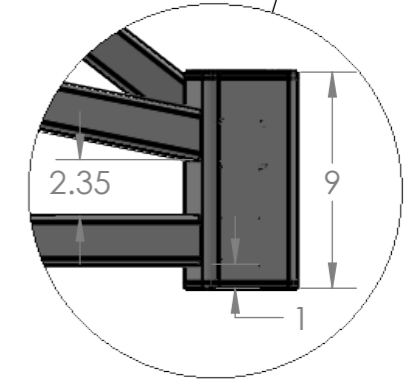
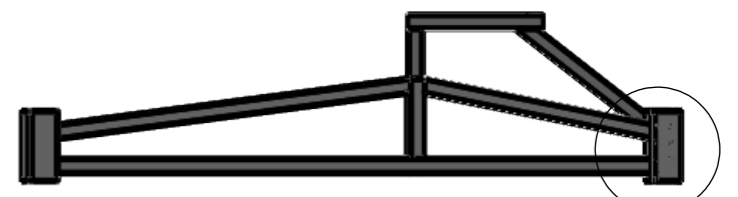
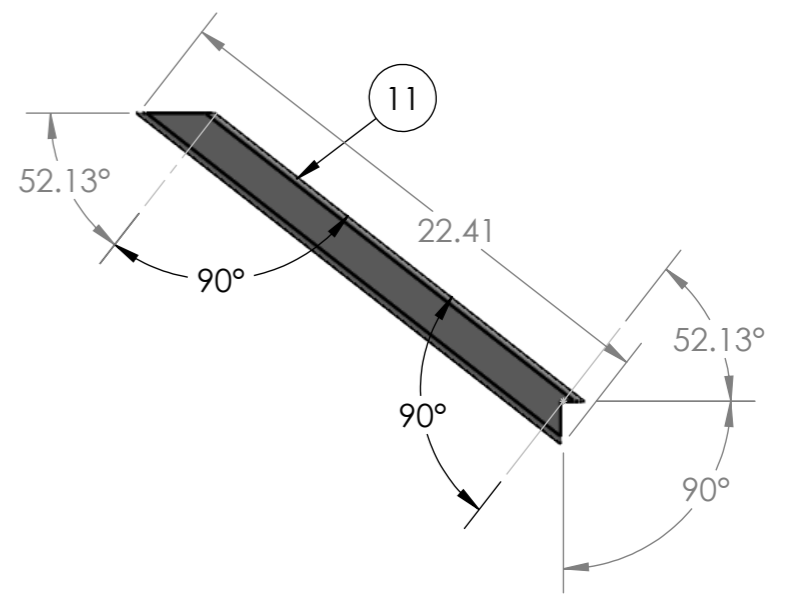
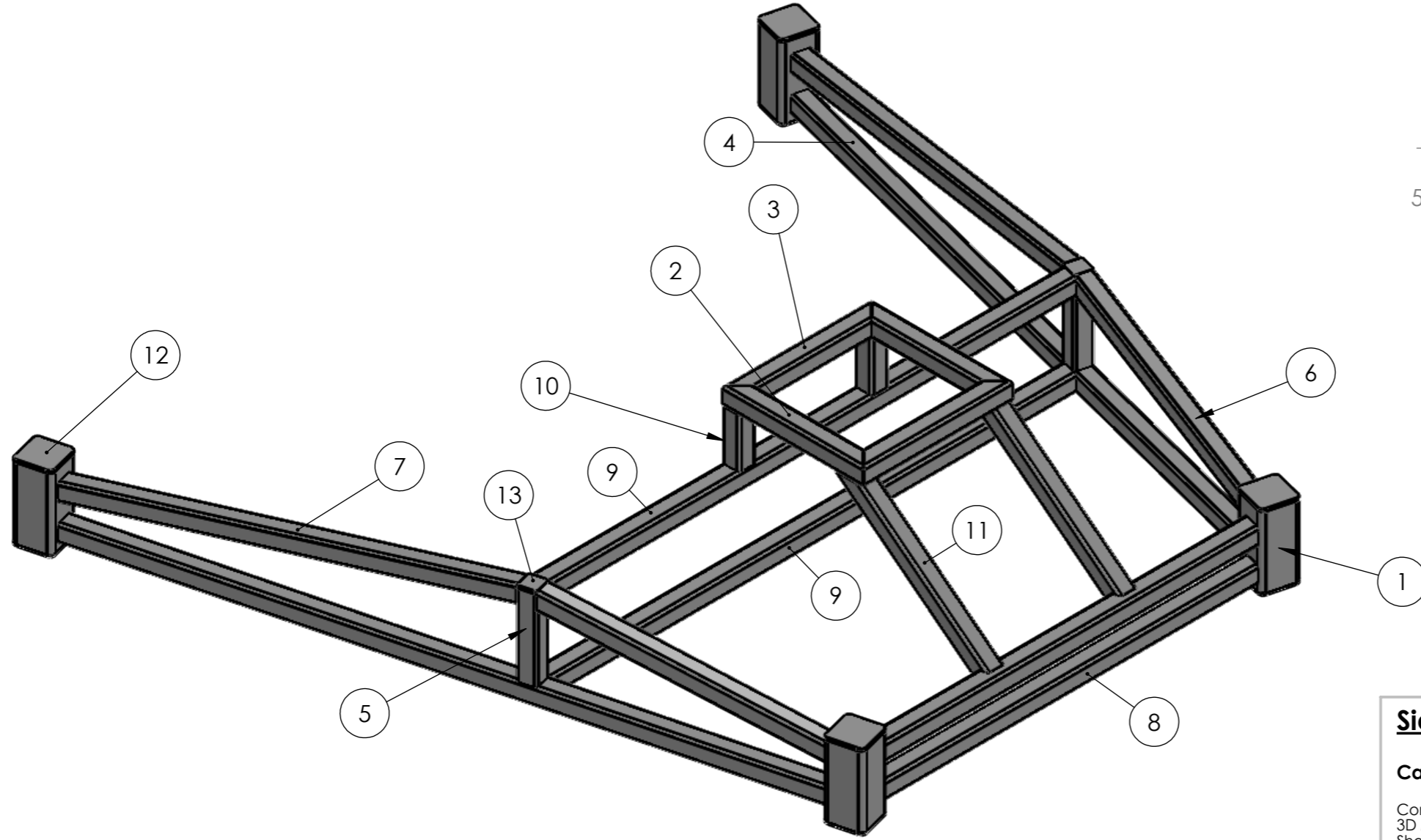


ITEM NO.	QTY.	DESCRIPTION	LENGTH	ANGLE1	ANGLE2
1	4	TS4x4x0.25	8.5	0.00	0.00
2	2	HSS_2x2x.125	17	45.00	45.00
3	2	HSS_2x2x.125	18	45.00	45.00
4	2	HSS_2x2x.125	76.52	0.00	0.00
5	2	HSS_2x2x.125	9.75	0.00	0.00
6	2	HSS_2x2x.125	29.93	10.95	10.95
7	2	HSS_2x2x.125	46.13	7.20	7.20
8	2	HSS_2x2x.125	46.38	14.38	14.38
9	2	HSS_2x2x.125	64.35	14.38	14.38
10	2	HSS_2x2x.125	6	0.00	0.00
11	2	HSS_2x2x.125	22.41	52.13	-
12	8	Cap_4x4x.25			
13	2	cap_2x2x.25			



DETAIL C
SCALE 1 : 8



Side View Design Cameron Carr Construction Design 3D Modeling Shop Drawings 805 455-3869 cameron@sideviewdesign.com www.sideviewdesign.com	TITLE: Whisper Dish Stand
	DWG NO.: